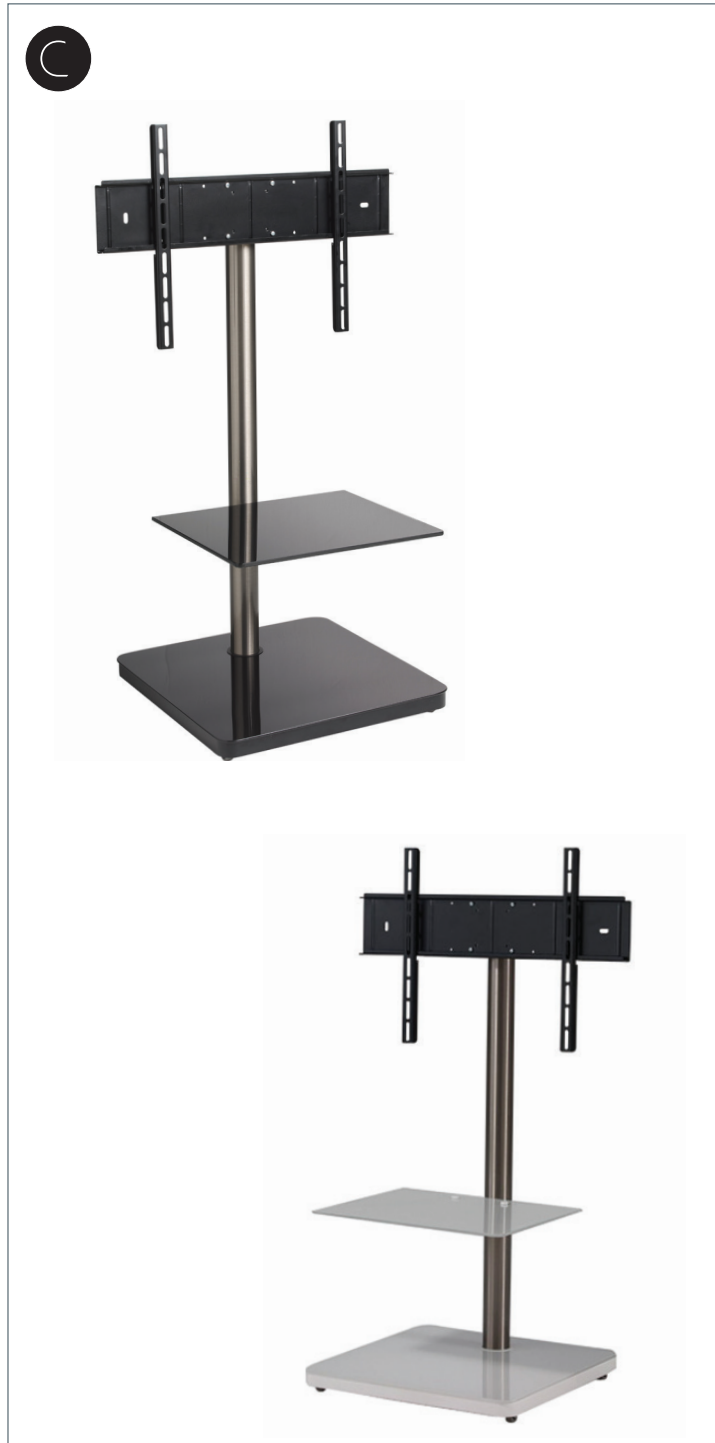


## Flat Screen TV Stand with Square Base

For more information please visit [www.btechavmounts.com/BTF800](http://www.btechavmounts.com/BTF800)

**BTF800**



### BTF800

#### Flat Screen TV Stand with Square Base

**Designed for LCD, LED and Plasma TVs  
up to 60" (152cm) / 30kg (66lbs)**

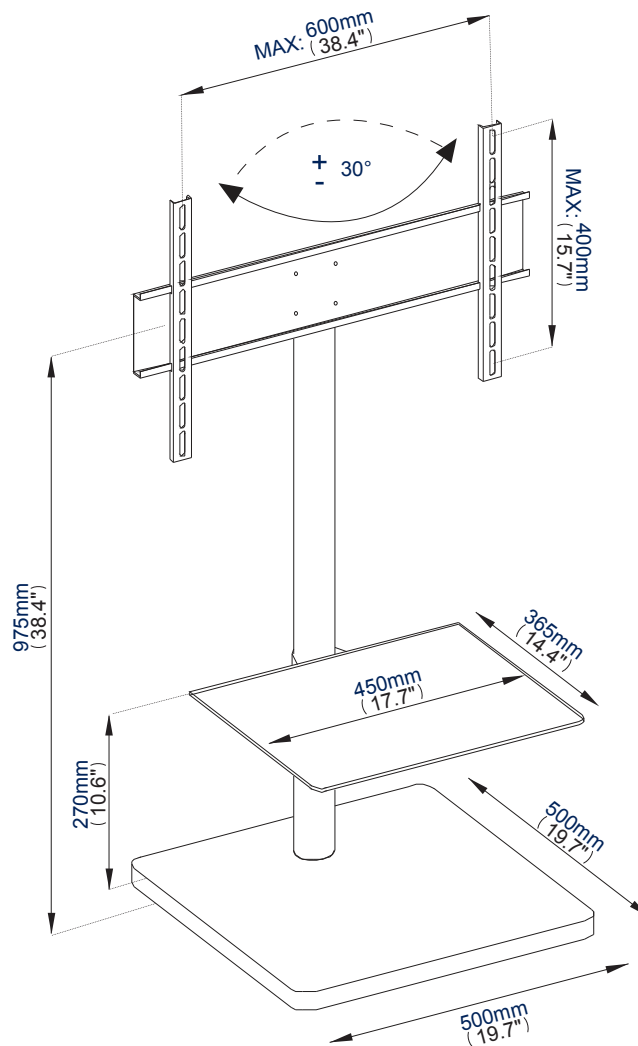
- Fits screens with VESA® and non-VESA® mounting patterns up to 600 x 400mm
- Easy swivel adjustment 60°
- Stainless steel finish
- Concealed castors and cable management
- Includes accessory shelf - Max weight: 10kg (22lbs)
- Glass shelf thickness: 6mm
- **Dimensions:**  
**W:** 500mm (19.7")  
**D:** 500mm (19.7")  
**H:** 975mm (38.4") (to centre of mount)
- Tempered glass base and shelf toughened to meet BS6206A standard
- Available in black and white



### Flat Screen TV Stand with Square Base

For more information please visit [www.btechavmounts.com/BTF800](http://www.btechavmounts.com/BTF800)

**BTF800**



Colour:	Order Ref:	EAN Code:	Master Carton Qty:	Inner Carton Qty:	Carton Weight:	Carton Cube:
Black	BTF800/BS	5019318651014	-	-	19.50kgs (43lbs)	0.095cbm (3.36cuft)
White	BTF800/WS	5019318651168	-	-	19.50kgs (43lbs)	0.095cbm (3.36cuft)

**This information is intended as a guide only and reflects the current specification at the time of print.  
B-Tech accepts no liability for the accuracy of the information contained in this document.**